

30 Foot [9M] Dome Deck, Joist Method
 One Prehung Door - A or B - 38x81.75 - 4x8
 Board Cut List

Board Cut List

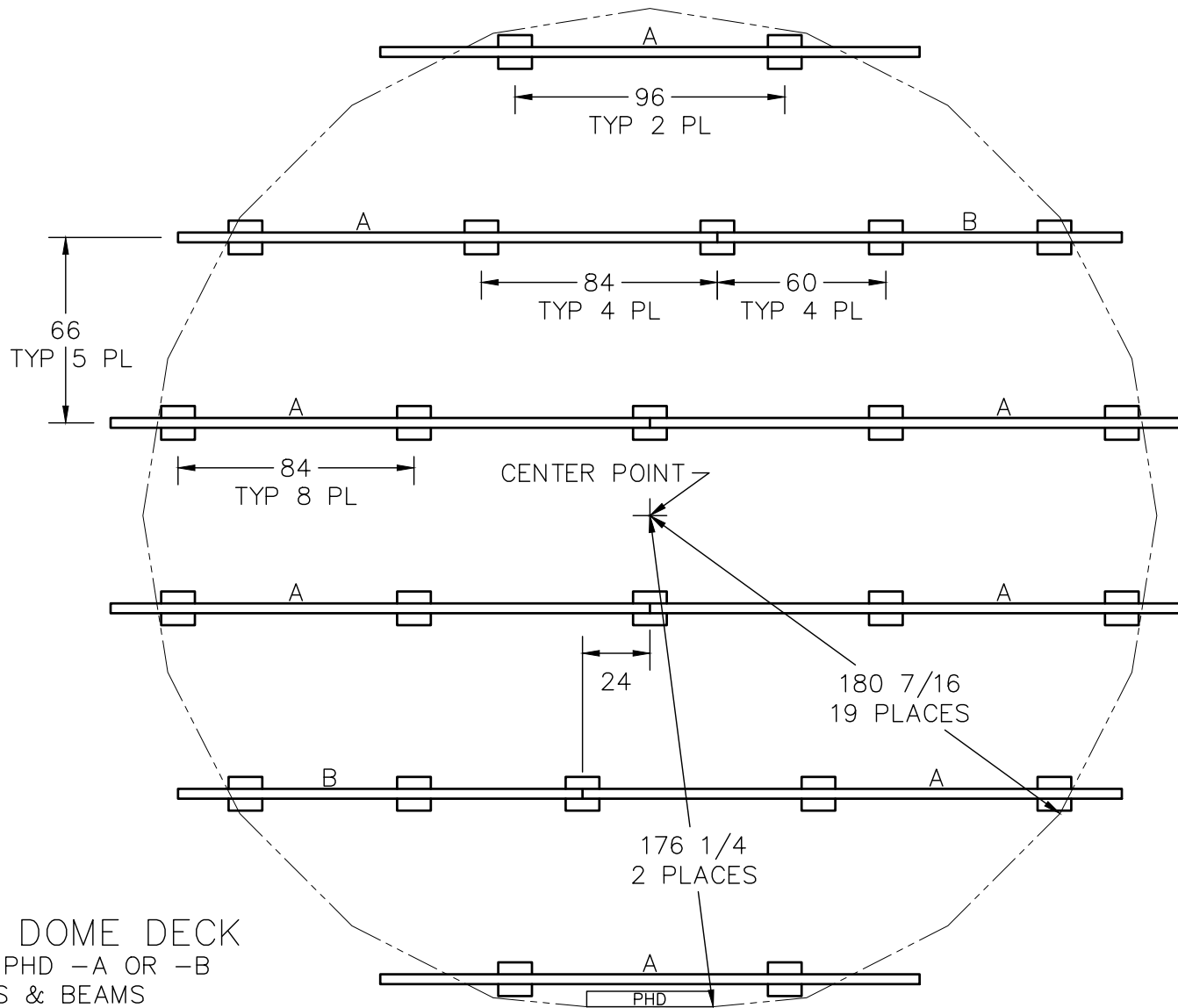
Letter	Qty.	Size ¹	Length ²	Ends ³	Board
A	8	4x6	192	0° - 0°	16'
B	2	4x6	144	0° - 0°	12'
C	16	2x6	56 7/16	9° - 9°	5'
C2	1	2x6	45	3° - 3°	4'
C3	2	2x6	33 7/16	3° - 13°	3'
C4	2	2x6	56 7/16	13° - 9°	5'
D	1	2x6	222 7/16	0° - 0°	19'
E	3	2x6	271 1/2	0° - 0°	23'
F	2	2x6	270 5/8	0° - 5°	23'
G	2	2x6	269 1/8	0° - 5°	23'
H	2	2x6	264 5/16	0° - 27°	23'
I	2	2x6	256 1/8	0° - 27°	22'
J	2	2x6	248	0° - 27°	21'
K	2	2x6	277 5/16	45° - 45°	24'
L	2	2x6	245 5/16	45° - 45°	21'
M	2	2x6	213 5/16	45° - 45°	18'
N	2	2x6	153 3/8	63° - 63°	13'
O	2	2x6	46 5/16	81° - 81°	4'
P ⁴	1	2x6	79 1/8	0° - 9°, 9°	7'
Q	2	2x6	76 11/16	0° - 9°	7'
R	2	2x6	74 3/16	0° - 9°	7'
S	2	2x6	71 5/8	0° - 9°	6'
T	2	2x6	66 5/16	0° - 27°	6'
U	2	2x6	58 1/8	0° - 27°	5'
V	2	2x6	50	0° - 27°	5'
-	24	4x4	As req'd. to level	0° - 0°	

¹ Lumber dimensions in nominal inches.

² All lengths in inches and for the long side of the board unless noted.

³ Angles shown are the angles of the material cut off. For angles less than 45°, this may be the angle of the saw setting.

⁴ Length is measured to point on centerline of joist. See SD-30-79, page 2.



30' DOME DECK
 ONE PHD - A OR -B
 PIERS & BEAMS
 JOIST PERIMETER SHOWN IN PHANTOM



PACIFIC DOMES®

585 CLOVER LANE STE. 3, ASHLAND OR, 97520
 OFFICE: 541.488.7737 FAX: 541.482.4272

DRAWING TITLE:
30' JOIST DECK - ONE PHD

DESCRIPTION:
38" X 81.75" 4x6 LUMBER FRAME OPENING

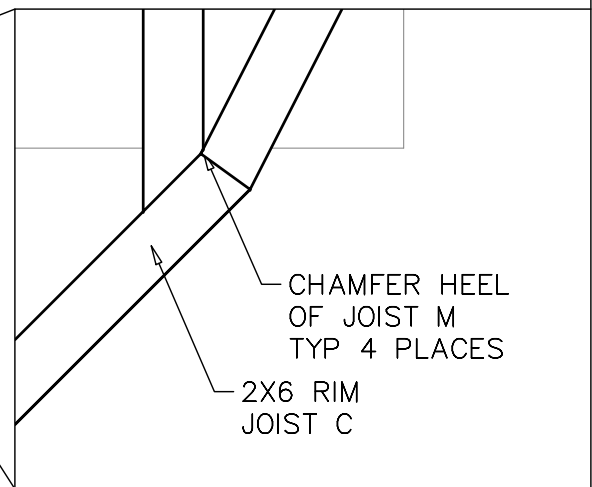
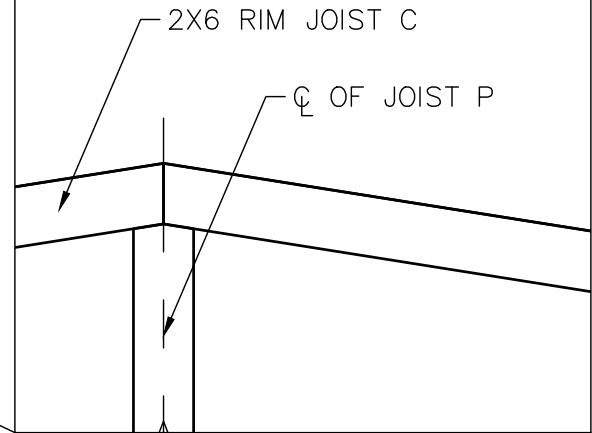
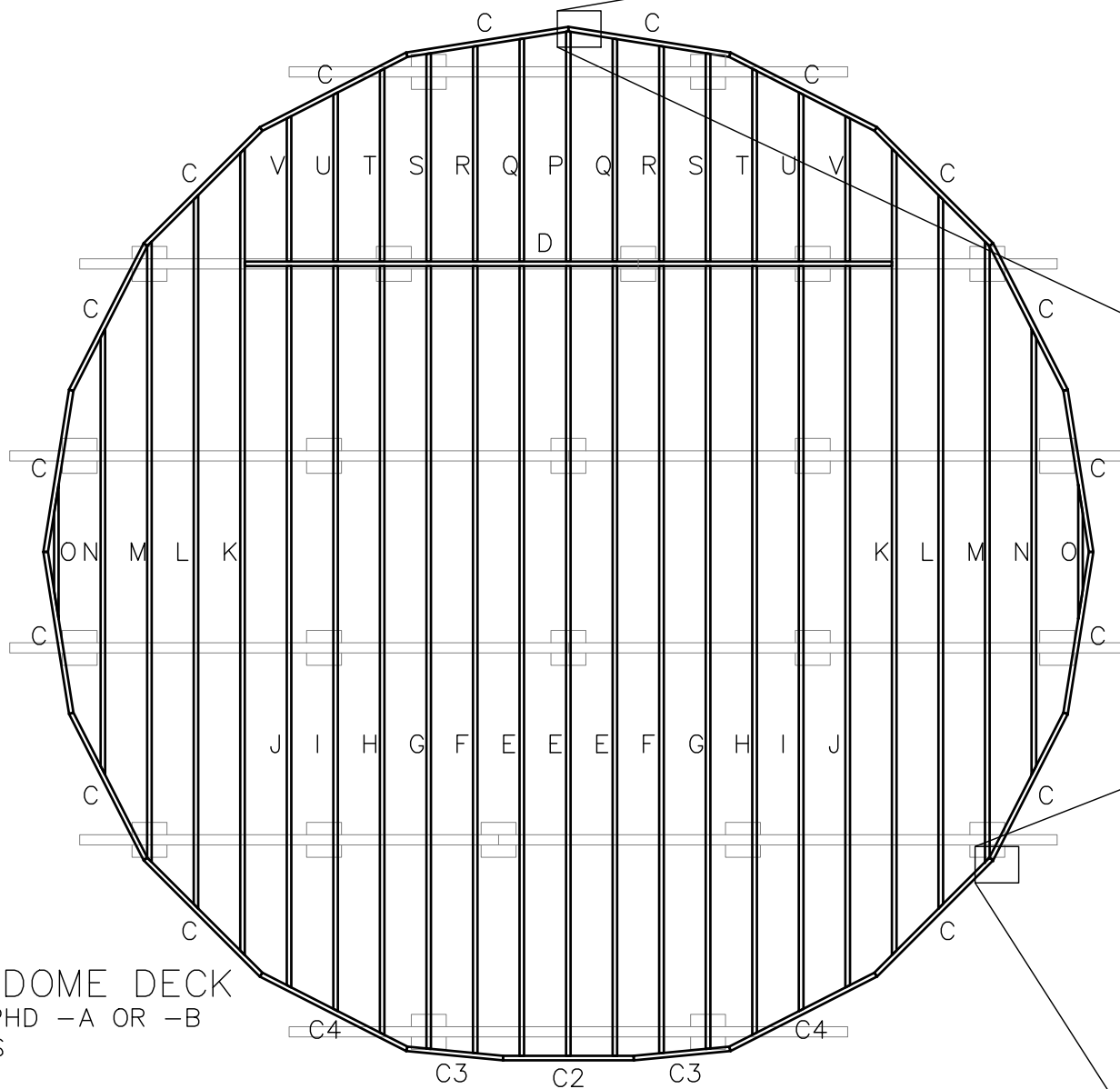
DRAWING NUMBER:
SD-30-79

DATE:
23 OCT 2020

PAGE:
1 OF 3

REVISION:
B
 DRAWN BY:
TES

THIS DOCUMENT CONTAINS PROPRIETARY INFORMATION FROM PACIFIC DOMES FOR THE PURPOSES OF DESIGN, SALE, AND SETUP OF PACIFIC DOMES PRODUCTS. ANY OTHER USE OF THIS DOCUMENT WITHOUT THE PERMISSION OF PACIFIC DOMES IS PROHIBITED BY LAW.



30' DOME DECK
ONE PHD -A OR -B
JOISTS



PACIFIC DOMES®

585 CLOVER LANE STE. 3, ASHLAND OR, 97520
OFFICE: 541.488.7737 FAX: 541.482.4272

DRAWING TITLE:
30' JOIST DECK - ONE PHD

DESCRIPTION:
38" X 81.75" 4x6 LUMBER FRAME OPENING

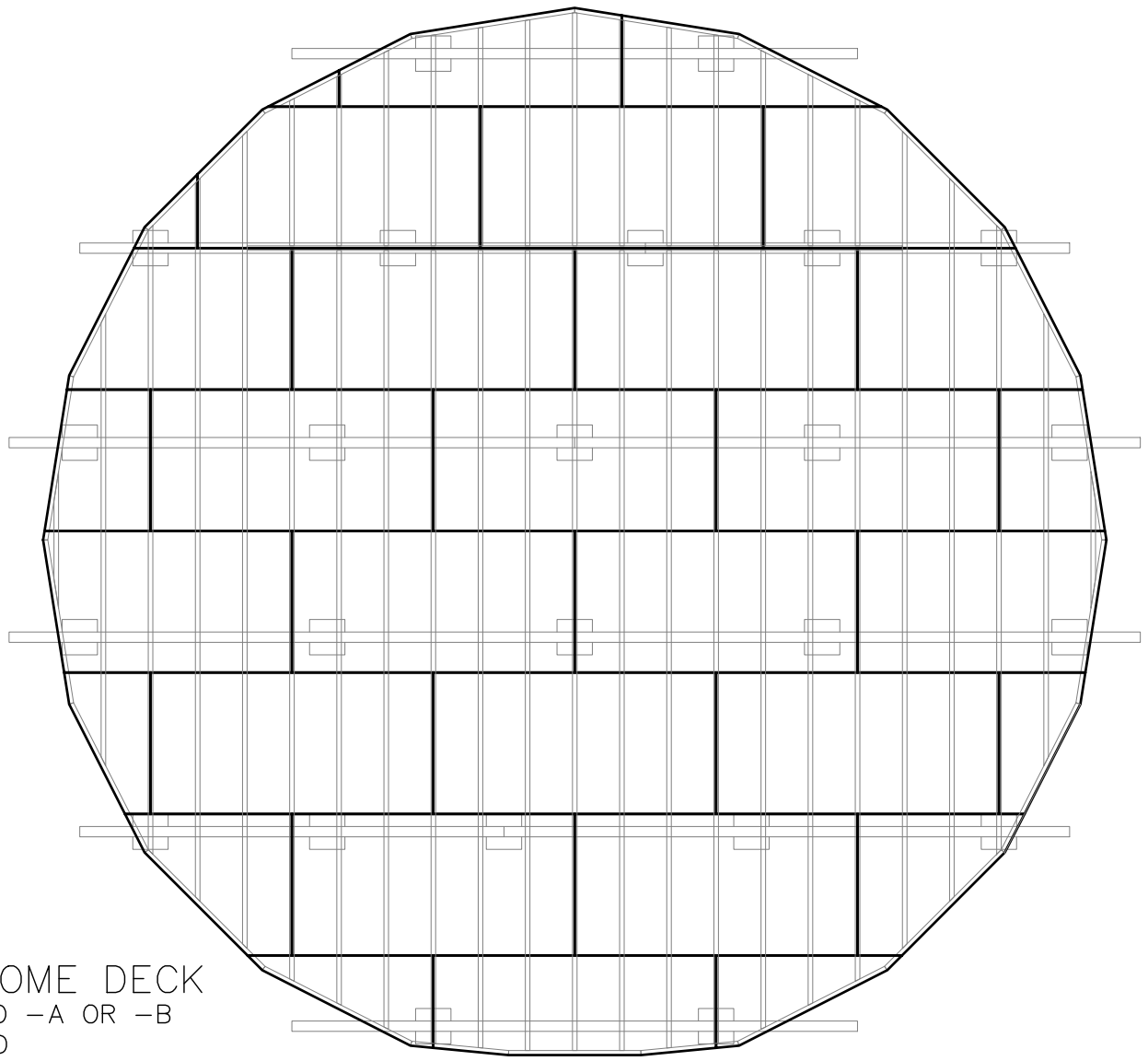
DRAWING NUMBER:
SD-30-79

DATE:
23 OCT 2020

PAGE:
2 OF 3

REVISION:
B DRAWN BY:
TES

THIS DOCUMENT CONTAINS PROPRIETARY INFORMATION FROM PACIFIC DOMES FOR THE PURPOSES OF DESIGN, SALE, AND SETUP OF PACIFIC DOMES PRODUCTS. ANY OTHER USE OF THIS DOCUMENT WITHOUT THE PERMISSION OF PACIFIC DOMES IS PROHIBITED BY LAW.



30' DOME DECK
 ONE PHD -A OR -B
 PLYWOOD

DOOR LOCATION



PACIFIC DOMES®

585 CLOVER LANE STE. 3, ASHLAND OR, 97520
 OFFICE: 541.488.7737 FAX: 541.482.4272

DRAWING TITLE:
30' JOIST DECK - ONE PHD

DESCRIPTION:
38" X 81.75" 4x6 LUMBER FRAME OPENING

DRAWING NUMBER:
SD-30-79

DATE:
23 OCT 2020

PAGE:
3 OF 3

REVISION:
B

DRAWN BY:
TES

THIS DOCUMENT CONTAINS PROPRIETARY INFORMATION FROM PACIFIC DOMES FOR THE PURPOSES OF DESIGN, SALE, AND SETUP OF PACIFIC DOMES PRODUCTS. ANY OTHER USE OF THIS DOCUMENT WITHOUT THE PERMISSION OF PACIFIC DOMES IS PROHIBITED BY LAW.